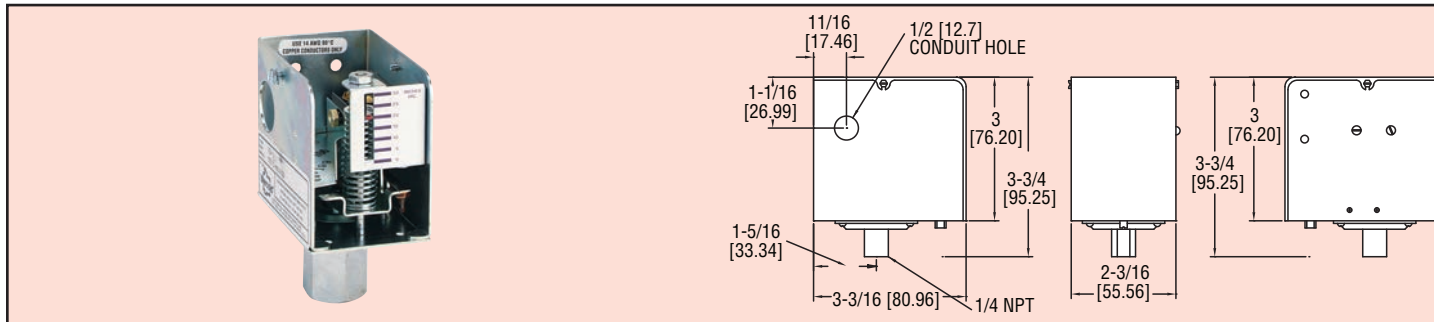




Series  
CS & CD

# Diaphragm Pressure Switches

Visible Set Points, Fixed or Adjustable Deadband



Series CS and CD combine advanced design and precision construction in a small size. Unit is ideal for instrument panels, small compressors and general industrial applications. Visible set point and easy to wire SPDT snap switch reduce installation time. Operates in any position and is vibration resistant.

## SPECIFICATIONS

**Wetted Materials:** Nylon reinforced Buna-N and steel.

**Temperature Limits:** -30 to 150°F (-35 to 66°C).

**Pressure Limit:** 30 psig (2.1 bar) for ranges 1, 3, and 10; 50 psig (3.5 bar) for range 30; 175 psig (12.1 bar) for range 150.

**Enclosure Rating:** General purpose.

**Switch Type:** SPDT snap switch.

**Electrical Rating:** 15 A @ 120 VAC, 8 A @ 240 VAC.

**Electrical Connections:** Screw terminal.

**Conduit Connection:** 1/2" hole for conduit hub.

**Process Connection:** 1/4" female NPT.

**Mounting Orientation:** Any position.

**Set Point Adjustment:** Internal screw.

**Weight:** .5 lb (0.23 kg).

**Deadband:** See model chart.

**Agency Approvals:** CE, UL.

Model	Adjustable Operating Range	Deadband	Deadband Value
CS-1	1-30" Hg. Vac. (25.4-762 mm Hg)	Fixed	1.5" Hg. (38 mm Hg)
CS-3	1-100 in w.c. (.25-24.9 kPa)	Fixed	7 in w.c. (1.74 kPa)
CS-10	1-10 psig (.07-.69 bar)	Fixed	0.4 psig (0.03 bar)
CS-30	1-30 psig (.07-2.1 bar)	Fixed	1.0 psig (0.07 bar)
CS-150	10-150 psig (.69-10.3 bar)	Fixed	5 psig (0.35 bar)
CD-10	1-10 psig (.07-.69 bar)	Adjustable	Min: 1.5 psig (.1 bar), Max: 11.5 psig (.79 bar)
CD-30	1-30 psig (.07-2.1 bar)	Adjustable	Min: 2 psig (.14 bar), Max: 12 psig (.83 bar)
CD-150	10-150 psig (.69-10.3 bar)	Adjustable	Min: 14 psig (.97 bar), Max: 24 psig (1.7 bar)